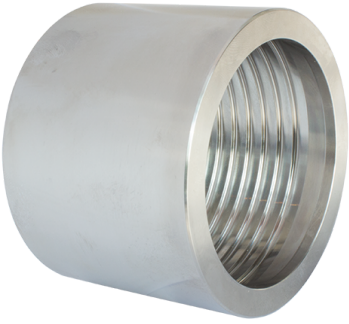
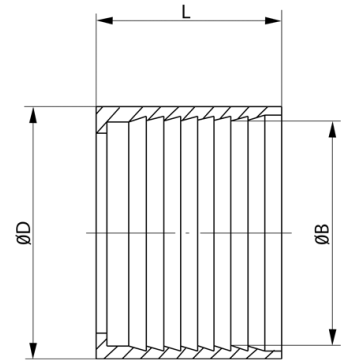


## Swaging ferrule

For food couplings with safety collar and serrated hose tail



Material Stainless steel (1.4301)



Art.-no.	Nominal size	Ø Inner (mm)	Ø Outer (mm)	Height (mm)	Weight (kg/pce)
5551025000	25	39,0	44,5	44,5	0,116
5551032000	32	47,0	54,0	45	0,176
5551038000	38	52,5	60,3	45	0,230
5551050000	50	67,0	74,5	54	0,318
5551063000	65	83,5	89,5	66,5	0,380
5551075000	75	94,5	102,5	70,5	0,671

**Remark:**

- (B) = Inside dimension swaging ferrule / (D) = Outside dimension swaging ferrule / (L) = Length swaging ferrule

