



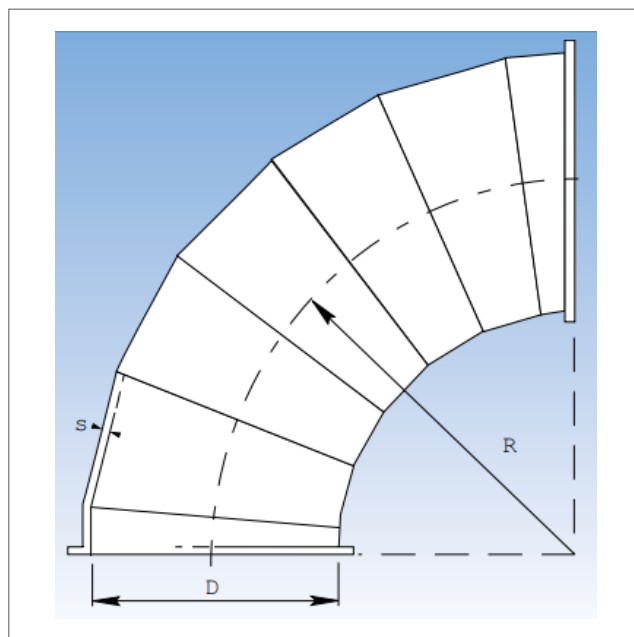
## GABF - Bend segmented flange

Galvanized steel - Flanged edge

Bend galvanised, segmented with flange.  $R = 1,5 \times \varnothing$



GABF - Bend segmented flange



Drawing segmented bend  $R = 1,5 \times D$

Art.no	Ø (mm)	Degrees (°)	Weight (kg)
GABF-450-90	450	90	16
GABF-500-90	500	90	19,6
GABF-550-90	550	90	23
GABF-600-90	600	90	27,1
GABF-630-90	630	90	22,4
GABF-650-90	650	90	25
GABF-700-90	700	90	29
GABF-750-90	750	90	33
GABF-800-90	800	90	37,5
GABF-850-90	850	90	42,5
GABF-900-90	900	90	48
GABF-950-90	950	90	53
GABF-1000-90	1000	90	59

<b>Art.no</b>	<b>Ø (mm)</b>	<b>Degrees (°)</b>	<b>Weight (kg)</b>
GABF-450-60	450	60	13
GABF-500-60	500	60	15,8
GABF-550-60	550	60	18,5
GABF-600-60	600	60	21,7
GABF-630-60	630	60	16,8
GABF-650-60	650	60	18,8
GABF-700-60	700	60	21,8
GABF-750-60	750	60	24,8
GABF-800-60	800	60	28,1
GABF-850-60	850	60	32
GABF-900-60	900	60	36
GABF-950-60	950	60	39,8
GABF-1000-60	1000	60	44

<b>Art.no</b>	<b>Ø (mm)</b>	<b>Degrees (°)</b>	<b>Weight (kg)</b>
GABF-450-45	450	45	10
GABF-500-45	500	45	12,1
GABF-550-45	550	45	14
GABF-600-45	600	45	16,4
GABF-630-45	630	45	11,2
GABF-650-45	650	45	12,5
GABF-700-45	700	45	14,5
GABF-750-45	750	45	16,5
GABF-800-45	800	45	18,75
GABF-850-45	850	45	21,25
GABF-900-45	900	45	24
GABF-950-45	950	45	26,5
GABF-1000-45	1000	45	29,5

<b>Art.no</b>	<b>Ø (mm)</b>	<b>Degrees (°)</b>	<b>Weight (kg)</b>
GABF-450-30	450	30	8,5
GABF-500-30	500	30	10,2
GABF-550-30	550	30	11,8
GABF-600-30	600	30	13,6
GABF-630-30	630	30	8,4
GABF-650-30	650	30	9,4
GABF-700-30	700	30	10,9
GABF-750-30	750	30	12,4
GABF-800-30	800	30	14,05
GABF-850-30	850	30	16
GABF-900-30	900	30	18
GABF-950-30	950	30	20
GABF-1000-30	1000	30	22

<b>Art.no</b>	<b>Ø (mm)</b>	<b>Degrees (°)</b>	<b>Weight (kg)</b>
GABF-450-15	450	15	6,3
GABF-500-15	500	15	7,4
GABF-550-15	550	15	8,4
GABF-600-15	600	15	9,6
GABF-630-15	630	15	4,2
GABF-650-15	650	15	4,7
GABF-700-15	700	15	5,4
GABF-750-15	750	15	6,2
GABF-800-15	800	15	7
GABF-850-15	850	15	8
GABF-900-15	900	15	9
GABF-950-15	950	15	10
GABF-1000-15	1000	15	11