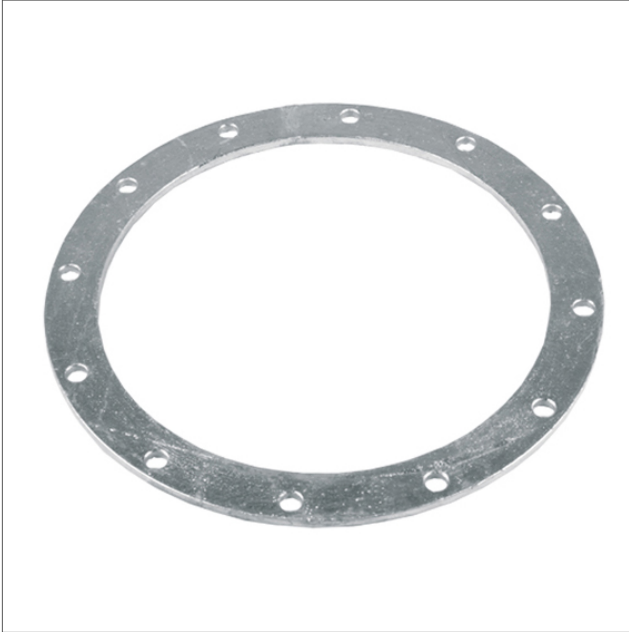




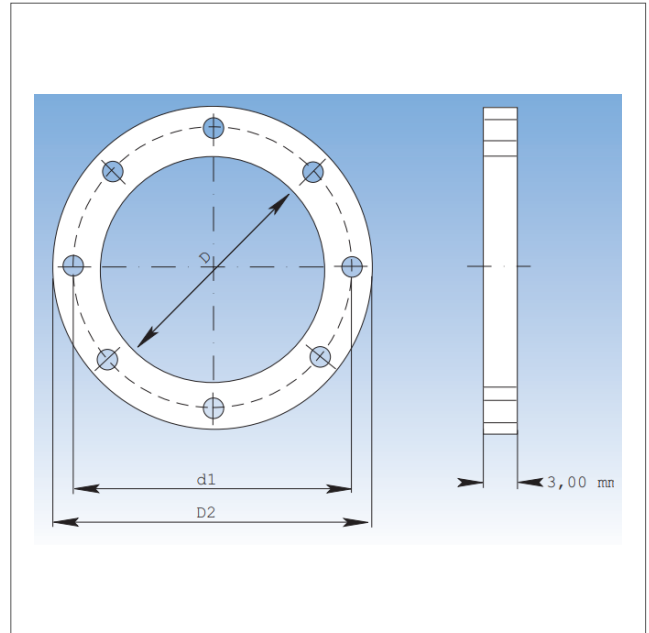
GAFL - Flange warm galvanised

Galvanized steel - Flanged edge

Flange GAFL, hot galvanised. For larger diameters ask for quotation. Hole size $\varnothing 80-315 = 10$ mm, $\varnothing 350$ and bigger = 12 mm



GAFL - Flange warm galvanised



Flanges - drawing, see measurement in the table

Art.no	\varnothing (mm)	D (mm)	d 1 (mm)	D 2 (mm)	Number of holes	B (mm)	Weight (kg)
GAFL-080	80	85	115	133	8	25	0.26
GAFL-100	100	105	135	153	8	25	0.31
GAFL-120	120	125	155	173	8	25	0.36
GAFL-125	125	130	160	178	8	25	0.38
GAFL-140	140	143	175	193	8	25	0.41
GAFL-150	150	155	185	205	8	25	0.55
GAFL-160	160	165	195	215	8	25	0.58
GAFL-180	180	185	215	235	8	25	0.64
GAFL-200	200	205	235	255	12	25	0.7
GAFL-225	225	230	260	280	12	25	0.75
GAFL-250	250	255	285	305	12	25	0.85
GAFL-300	300	305	336	355	12	25	1.01
GAFL-315	315	320	351	370	12	25	1.26
GAFL-350	350	355	389	415	12	30	1.64
GAFL-400	400	405	439	465	16	30	1.85
GAFL-450	450	455	489	515	16	30	2.04
GAFL-500	500	505	540	565	16	30	2.3
GAFL-550	550	555	590	615	16	30	2.5

Art.no	Ø (mm)	D (mm)	d 1 (mm)	D 2 (mm)	Number of holes	B (mm)	Weight (kg)
GAFL-600	600	605	640	665	16	30	2.8
GAFL-630	630	635	670	695	24	30	2.9
GAFL-650	650	655	690	715	24	30	3
GAFL-700	700	705	750	785	24	40	4.3
GAFL-750	750	755	800	835	24	40	4.5
GAFL-800	800	805	850	885	24	40	4.9
GAFL-850	850	855	900	935	24	40	5.2
GAFL-900	900	905	950	985	24	40	5.5
GAFL-950	950	955	1000	1035	24	40	5.8
GAFL-1000	1000	1005	1050	1085	24	40	6