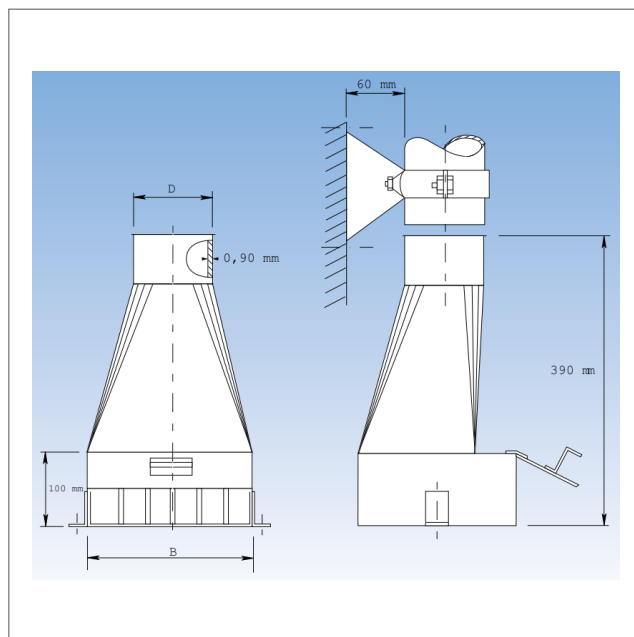




GASD - Suction head/door

Galvanized steel - Pull ring edge

GASD sweep ups with gate for suction of floor areas. Made of 0.90 mm galvanised sheet metal.



GASD - Suction head or door

Art.no	Ø (mm)	B (mm)	Weight (kg)
GASD-080	80	220	3.53
GASD-100	100	220	3.97
GASD-120	120	220	0.97
GASD-125	125	220	3.97
GASD-140	140	220	3.99
GASD-150	150	285	4.01
GASD-160	160	285	4.08