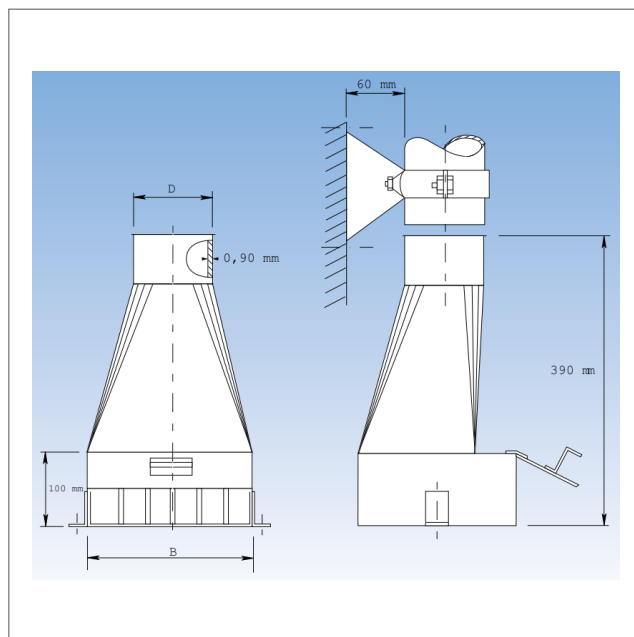




GASH - Suction head

Galvanized steel - Pull ring edge

GASH sweep ups without gate for suction of floor areas. Made of 0.90 mm galvanised sheet metal.



GASH - Suction head

Art.no	Ø (mm)	B (mm)	Weight (kg)
GASH-080	80	220	3.33
GASH-100	100	220	3.53
GASH-120	120	220	3.77
GASH-125	125	220	3.77
GASH-140	140	220	3.79
GASH-150	150	285	3.81
GASH-160	160	285	3.88