



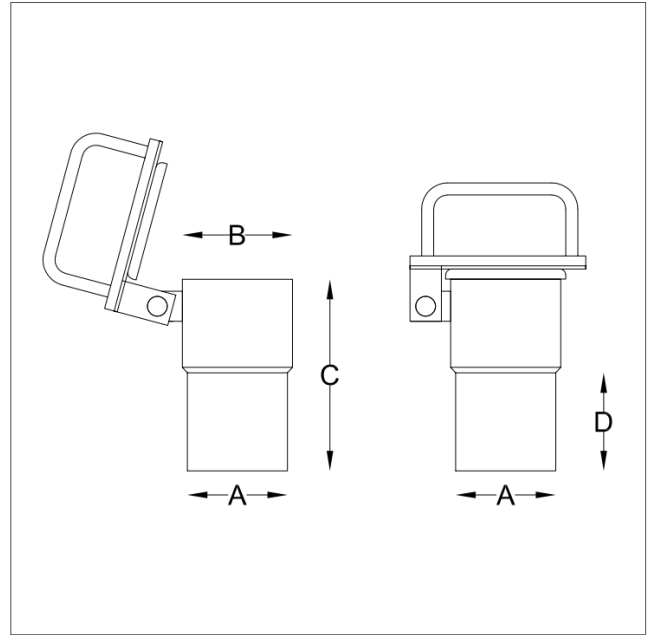
KLVS - Flap valve stainless

Duct system AISI 304

Flap valve KLVS stainless AISI304 is equipped with a self-closing spring cap. Conical, mounted inside the pipe. Suitable for flexible hoses, connected with HOCS hose connection. A: Indicates pipe diameter. B: Indicates HOCS diameter.



KLVS - Flap valve stainless



KLVA/KLSM - drawing, se measurement in the table

| Art.no | Ø A,B outside | A (mm) | B (mm) | C (mm) | D (mm) | Weight (kg) |
|--------------|---------------|--------|--------|--------|--------|-------------|
| KLVS-050-050 | 050-050 | 47 | 47.9 | 64.8 | 21 | 0.35 |
| KLVS-063-050 | 063-050 | 59.5 | 47.9 | 84.5 | 34.7 | 0.55 |
| KLVS-076-063 | 076-063 | 71.9 | 67.5 | 86.1 | 26.4 | 0.7 |