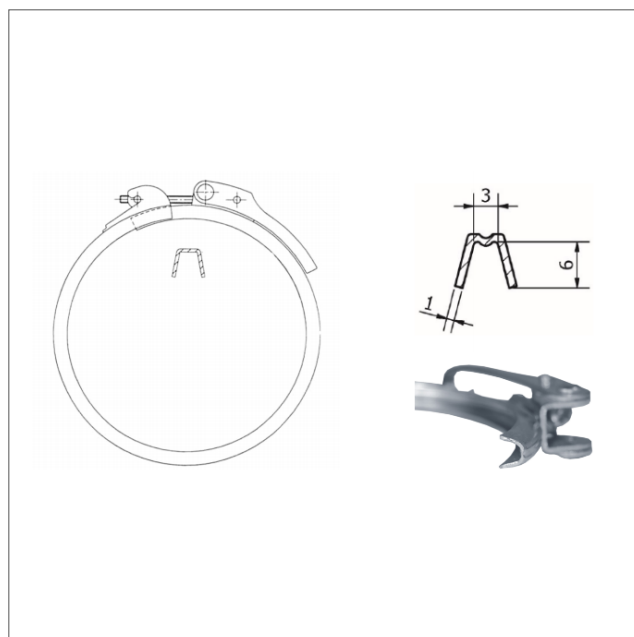




## PRTC - Rapid pull ring

Galvanized steel - Pull ring edge

The PRTC is a simple rapid pull ring in galvanised steel, without gasket. Fits with 1 mm galvanised pipe system. Can be supplemented with RUPR sealing ring for pull rings 1 mm.



PRTC - Rapid pull ring

Art.no	Ø (mm)	Weight (kg)
PRTC-080	80	0,1
PRTC-100	100	0,1
PRTC-120	120	0,1
PRTC-125	125	0,1
PRTC-140	140	0,11
PRTC-150	150	0,11
PRTC-160	160	0,11
PRTC-180	180	0,11
PRTC-200	200	0,15
PRTC-225	225	0,15
PRTC-250	250	0,15
PRTC-300	300	0,2
PRTC-315	315	0,2
PRTC-350	350	0,2
PRTC-400	400	0,2

