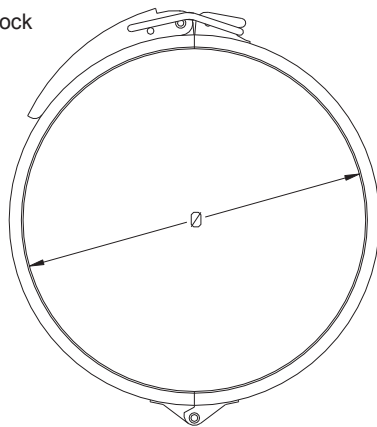


## PRTE-1



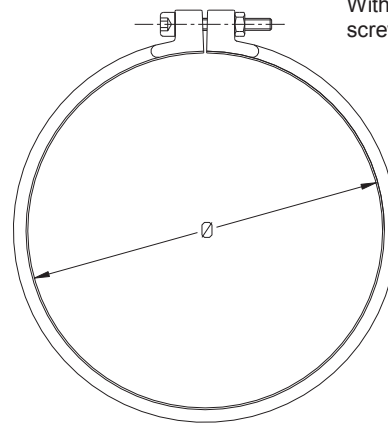
PRTE-1 is a rapid pull ring in galvanized steel, with PVC rubber. Fitted with 1 mm galvanized ducting.

With rapid-lock



With hinge

With M8 Allen screw and nut



Artikel Nr	Ø mm
E-080	81,5
E-100	101,5
E-120	121,5
E-125	126,5
E-140	141,5
E-150	151,5
E-160	161,5
E-180	181,5
E-200	201,5

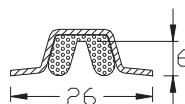
Artikel Nr	Ø mm
E-220	221,5
E-225	226,5
E-250	251,5
E-275	276,5
E-280	281,5
E-300	301,5
E-315	316,5
E-350	351,5
E-400	401,5

Artikel Nr	Ø mm
E-450	451,5
E-500	501,5
E-550	551,5
E-600	601,5
E-630	631,5

Material: Galvanized steel

Seal material:

PVC



Seal for 0,8 mm sheet