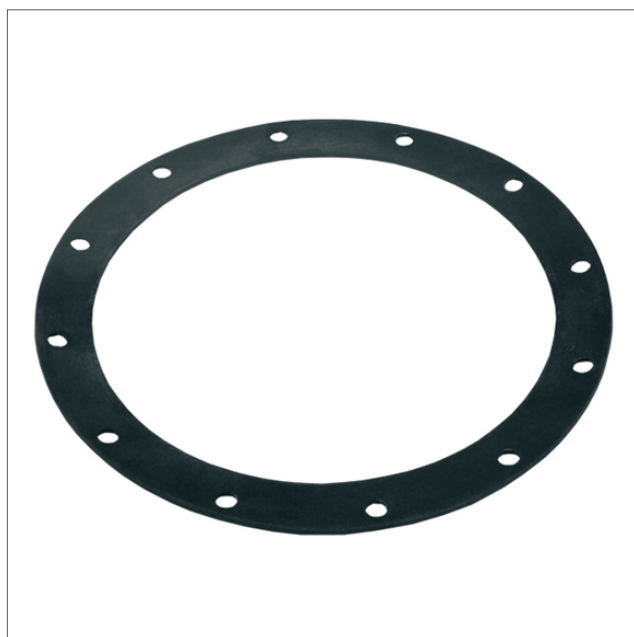




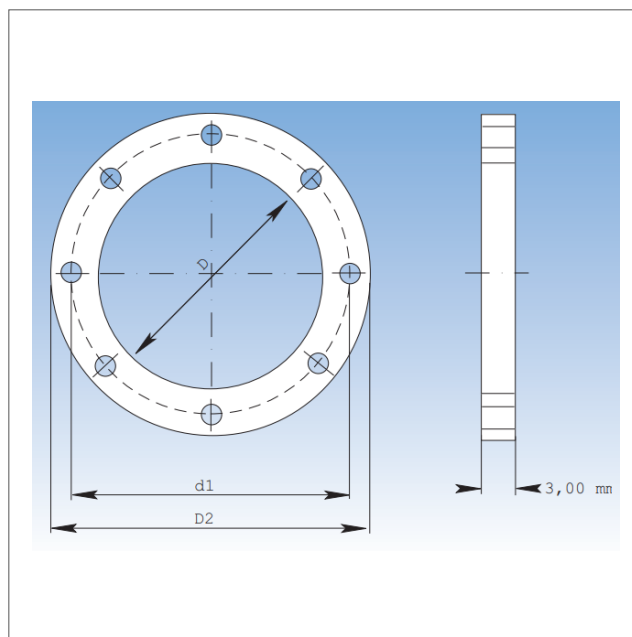
RUFL - Flange gasket nitrile

Galvanized steel - Flanged edge

Flange gasket in nitrile rubber, 3 mm. Hardness: 65 shore. Temperature range: -10°C to +70°C. Resistant to oil and petrol and to a limited extent acid and base chemicals. Hole size Ø80-315 = 8 mm, Ø350 and bigger = 10 mm



RUFL - Flange gasket nitrile



Flanges - drawing, se measurement in the table

Art.no	Ø (mm)	D (mm)	d 1 (mm)	D 2 (mm)	Number of holes	B (mm)	Weight (kg)
RUFL-080	80	85	115	133	8	25	0.02
RUFL-100	100	105	135	153	8	25	0.03
RUFL-120	120	125	155	173	8	25	0.04
RUFL-125	125	130	160	178	8	25	0.05
RUFL-140	140	143	175	193	8	25	0.05
RUFL-150	150	155	185	205	8	25	0.06
RUFL-160	160	165	195	215	8	25	0.06
RUFL-180	180	185	215	235	8	25	0.07
RUFL-200	200	205	235	255	12	25	0.08
RUFL-225	225	230	260	280	12	25	0.09
RUFL-250	250	255	285	305	12	25	0.1
RUFL-300	300	305	336	355	12	25	0.11
RUFL-315	315	320	351	370	12	25	0.13
RUFL-350	350	355	389	415	12	30	0.15
RUFL-400	400	405	439	465	16	30	0.18
RUFL-450	450	455	489	515	16	30	0.21
RUFL-500	500	505	540	565	16	30	0.22

Art.no	Ø (mm)	D (mm)	d 1 (mm)	D 2 (mm)	Number of holes	B (mm)	Weight (kg)
RUFL-550	550	555	590	615	16	30	0.25
RUFL-600	600	605	640	665	16	30	0.29
RUFL-630	630	635	670	695	24	30	0.33
RUFL-650	650	655	690	715	24	30	0.35
RUFL-700	700	705	750	785	24	40	0.38
RUFL-750	750	755	800	835	24	40	0.41
RUFL-800	800	805	850	885	24	40	0.49
RUFL-850	850	855	900	935	24	40	0.52
RUFL-900	900	905	950	985	24	40	0.54
RUFL-950	950	955	1000	1035	24	40	0.55
RUFL-1000	1000	1005	1050	1085	24	40	0.56