



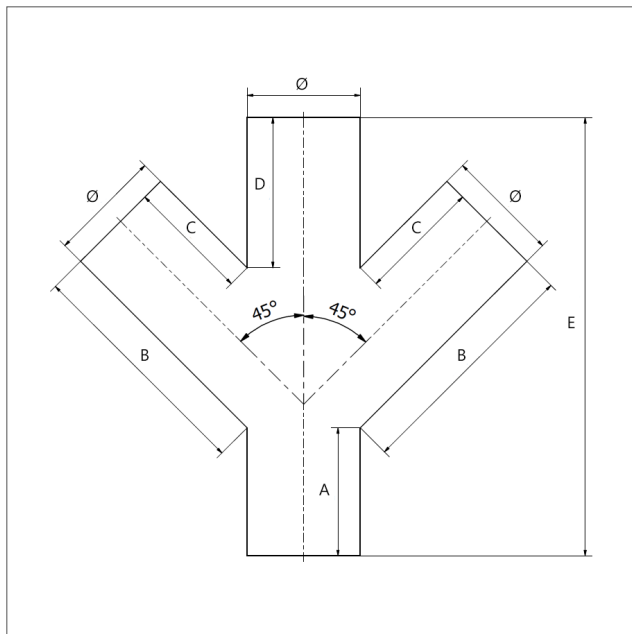
## STBD - Double branch pipe galvanized

Duct system galvanized

STBD double branch pipe 45°, galvanized with straight edges for mounting with PICO pipe coupling. T = 1.5 mm



STBD - double branch pipe, galvanised.



STBD - double branch pipe drawing. Measurement - see table.

| Art.no       | Ø (mm) | A (mm) | B (mm) | C (mm) | D (mm) | E (mm) | Weight (kg) |
|--------------|--------|--------|--------|--------|--------|--------|-------------|
| STBD-050-050 | 50     | 110    | 175    | 120    | 110    | 300    | *           |
| STBD-063-063 | 63     | 105    | 138.5  | 75     | 75     | 270    | *           |
| STBD-076-076 | 76     | 110    | 161.1  | 85     | 75     | 292.5  | *           |
| STBD-102-102 | 102    | 115    | 211.6  | 110    | 135    | 393.7  | *           |