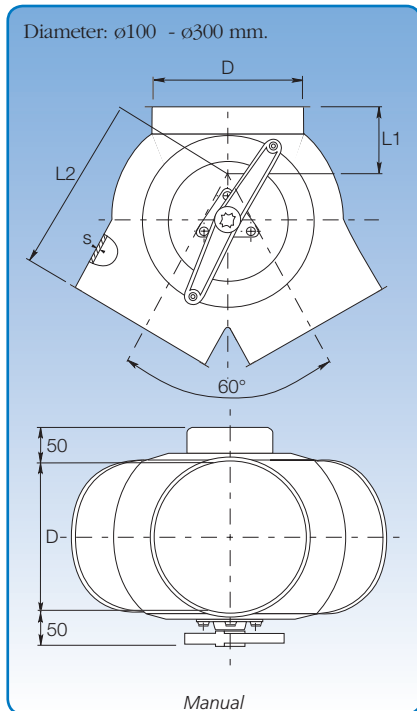




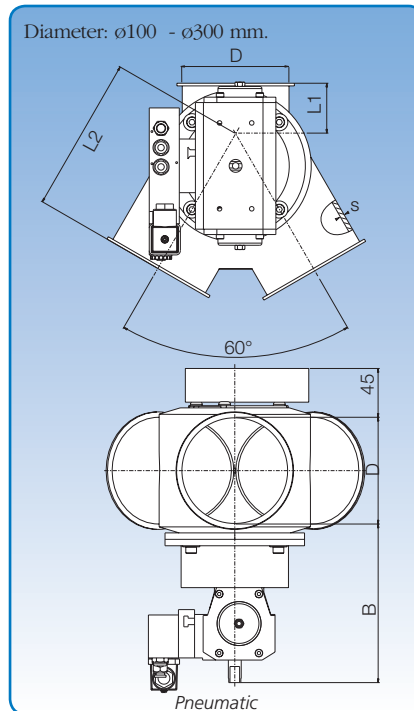
## 60° trouser diverters, pressed, manual, pneumatic and electric



Dimensional specifications are given in the table below.

### General

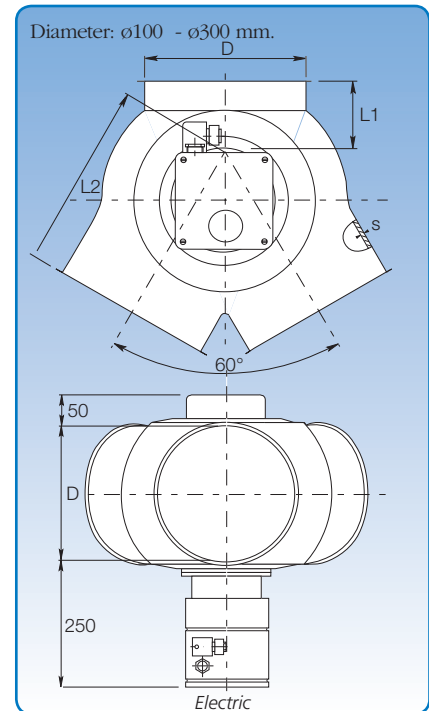
Trouser diverters, pressed, are designed for falling and forced direction transport. Pressed diverters are made of 1.50 - 2.00 mm sheet metal (s) with a standard 2.00 mm damper suspended on brass bearings.



Dimensional specifications are given in the table below.

### With pneumatic actuator

The damper is turned by a pneumatic actuator controlled by an electrically-operated valve. Solenoid valve: monostable 5/2 valve with 1 x 230 V AC - 50/60 Hz electric coil or 24 V DC. Pneumatic pressure: 4-6 bar. Valve setting indicators are available as an optional extra.



Dimensional specifications are given in the table below.

### With electric actuator

The damper is operated by an electric motor activated by a changeover switch. Power supply: 230 V AC - 50 Hz or 24 V DC. Switch box with damper setting indicators supplied as standard. Not supplied with profile for damper plate.

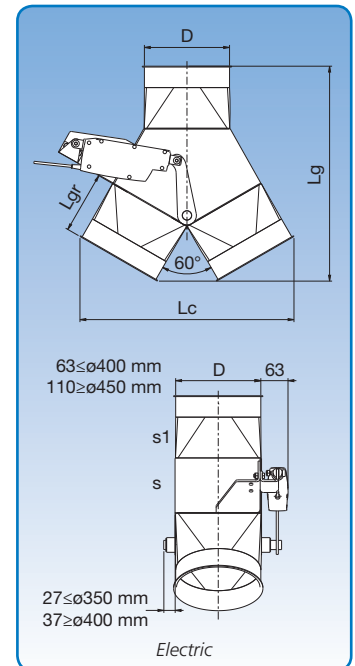
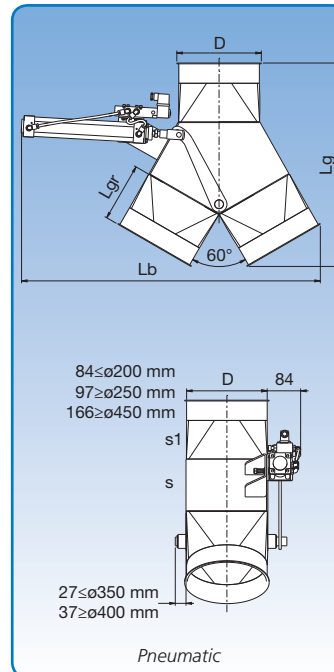
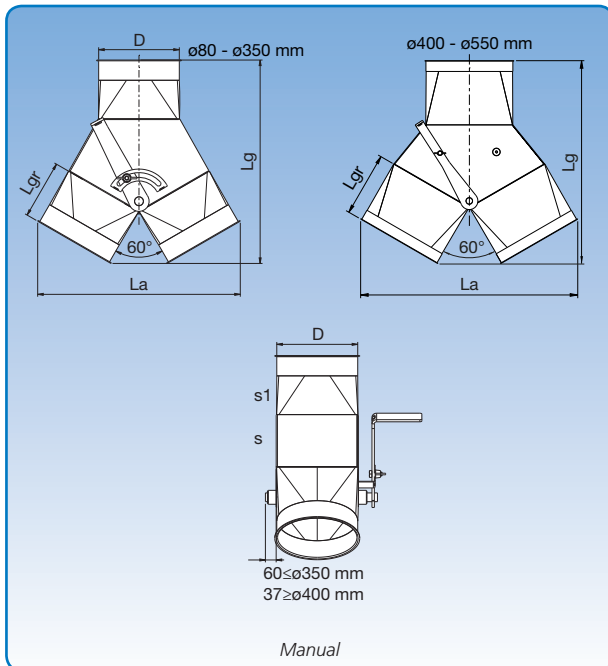
Dimensions										
Item no. (Man.)	Item no. (Pneu.)	Item no. (Elec.)	D mm	s mm	B mm	L1 mm	L2 mm	Weight (Man.) kg	Weight (Pneu.) kg	Weight (Elec.) kg
1700037	1720037	1710037	100	1,50	145	70	145	2,00	5,00	6,70
1701037	1721037	1711037	120	1,50	145	160	240	4,70	7,80	9,40
1702037	1722037	1712037	125	1,50	145	90	170	3,90	6,90	8,60
1703037	1723037	1713037	150	2,00	145	100	190	5,60	8,80	10,50
1704037	1724037	1714037	160	2,00	145	95	225	5,60	8,50	10,30
1705037	1725037	1715037	180	2,00	145	195	315	10,60	13,70	15,30
1706037	1726037	1716037	200	2,00	145	110	230	7,90	10,90	12,60
1707037	1727037	1717037	250	2,00	185	135	270	12,50	15,50	17,30
1708037	1727337	1717337	300	2,00	185	160	325	18,25	21,30	23,10

The item numbers stated are for trouser diverters assembled using pull rings [f.b].

Trouser diverters are also available for other assembly methods. See p. 7 for assembly methods.



## 60° trouser diverters, welded, manual, pneumatic and electric



Dimensional specifications are given in the table below.

### General

Diameter: ø80 - ø550 mm.  
 Designed for falling and pneumatic transport.  
 Available with rubber gasket on damper plate for pneumatic transport.  
 Damper suspended on nylon bearings.

### With pneumatic actuator

The damper is turned by a pneumatic cylinder controlled by an electrically-operated valve.  
 Solenoid valve: monostable 5/2 valve with 1 x 230 V AC - 50/60 Hz electric coil or 24 V DC. Pneumatic pressure: 4-6 bar. Valve setting indicators are available as an optional extra.

### With electric actuator

The damper is operated by an electric motor activated by a changeover switch.  
 Power supply: 24 V DC with build in CS-print guarding against over-current. Switch box with damper setting indicators available as an optional extra.

### Dimensions

Item no. (Man.)	Item no. (Pneu.)	Item no. (Elec.)	D mm	s mm	s1 mm	Damper plate mm	Lg mm	La mm	Lb mm	Lc mm	Lgr mm	Weight (Man.) kg	Weight (Pneu.) kg	Weight (Elec.) kg
1700017	1740967	1710967	80*	3,00	2,00	4,00	335	308	423		105	3,6	5,6	5,7
1700067	1740067	1710067	100	3,00	2,00	4,00	335	308	423	449	105	4,0	5,9	6,0
1701067	1741067	1711067	120*	3,00	2,00	4,00	362	353	470		110	4,3	6,2	9,4
1702067	1742067	1712067	125	3,00	2,00	4,00	362	353	470		110	5,4	7,3	8,6
1702167	1742967	1712967	140*	3,00	2,00	5,00	465	426	630	530	145	7,8	10,6	9,9
1703067	1743067	1713067	150	3,00	2,00	5,00	465	426	630	530	145	8,0	10,7	9,9
1704067	1744067	1714067	160	3,00	2,00	5,00	465	426	630	530	145	8,1	10,9	10,0
1705067	1745067	1715067	180*	3,00	2,00	5,00	512	510	753	562	145	11,5	14,5	13,5
1706067	1746067	1716067	200	3,00	2,00	5,00	512	510	753	562	145	12,0	15,0	14,0
1707067	1747067	1717067	250	3,00	2,00	5,00	770	703	854	703	250	23,6	27,7	25,1
1708067	1747367	1717367	300	3,00	2,00	5,00	818	786	942	787	250	30,2	33,5	30,8
1708567	1747567	1717567	315*	3,00	2,00	6,00	873	876	991	925	250	38,1	39,7	42,3
1709067	1747667	1717667	350	3,00	2,00	6,00	873	876	991	925	250	38,7	39,9	42,5
1709267	1747967	1717967	400	3,00	2,00	6,00	943	1008	1040	1008	295	48,8	52,0	52,9

The item numbers stated are for trouser diverters assembled using pull rings (f.b).  
 Branch diverters are also available for other assembly methods. See p. 7 for assembly methods.  
 \* Diverter delivered with rubber gasket Lg+50 mm extra.