

Lime Dosing

Butterfly Valves V2FF / V.FS

4



Description ▼

V2FF Silo Discharge Butterfly Valves are manufactured from a single-piece fabricated carbon steel body lined with WAM®'s polymer composite SINT®. Due to the four corner slots the integrated upper square flange can be adapted to different sizes of silo outlet flanges. The valve disc is manufactured from surface-treated carbon steel.

VFS Butterfly Valves consist of two high-pressure die-cast semi-bodies manufactured from aluminium alloy, a swivel disc in SINT® polymer composite or cast iron, and a pre-stressed elastomer seal. While V1FS has a top flange and a beaded bottom section suitable for the attachment of a flexible sleeve, the V2FS comes with an identical top and bottom flange.

Function ▼

For closing bins, hoppers and silos containing lime or powdery materials, Butterfly Valves are among the most widely used equipment worldwide. What used to be custom-built items for specific applications, have been turned by WAM® into a mass-produced industrial product with features that allow extremely versatile use.

Material flow is intercepted by activating a manual lever or a pneumatic or electric actuator turning the valve disc 90 degrees, thus closing the valve hermetically.



Application ▼

V2FF Silo Shut-Off Butterfly Valves are used wherever interception of gravity-fed powdery materials is required. They are fitted beneath hoppers, bins, or silos.

VFS Butterfly Valves are used where interception of gravity-fed or pneumatically conveyed dry materials is required. They are fitted beneath hoppers, bins, silos, screw feeder outlets, or in a 0.2 bar (29 PSI) pressure-proof version, on water scales outlets. Due to their special design and to the engineering materials used, they represent a particularly cost-effective yet most efficient solution.

Benefits ▼

- ✓ **Dust-tight (V.FS for water scales 0.2 bar pressure-proof);**
- ✓ **Quick fitting, retro-fitting and replacement;**
- ✓ **Modular design and easy maintenance thanks to small numbers of components;**
- ✓ **High flexibility thanks to interchangeable components;**
- ✓ **More durable thanks to special performance features.**

Lime Dosing

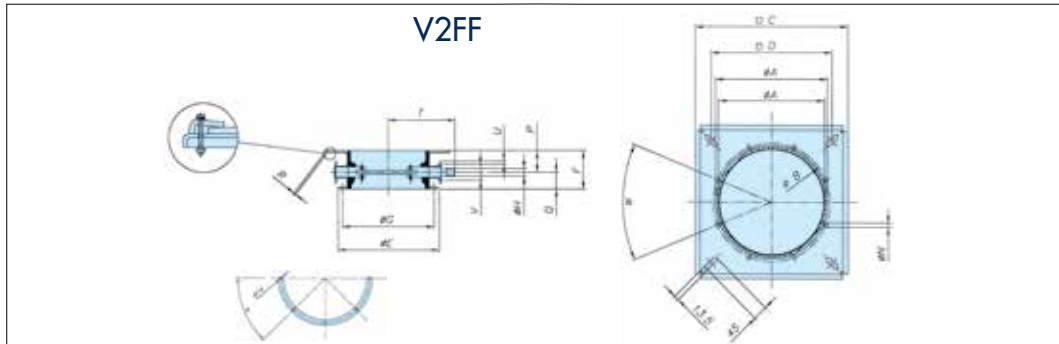
Butterfly Valves V2FF / V.FS



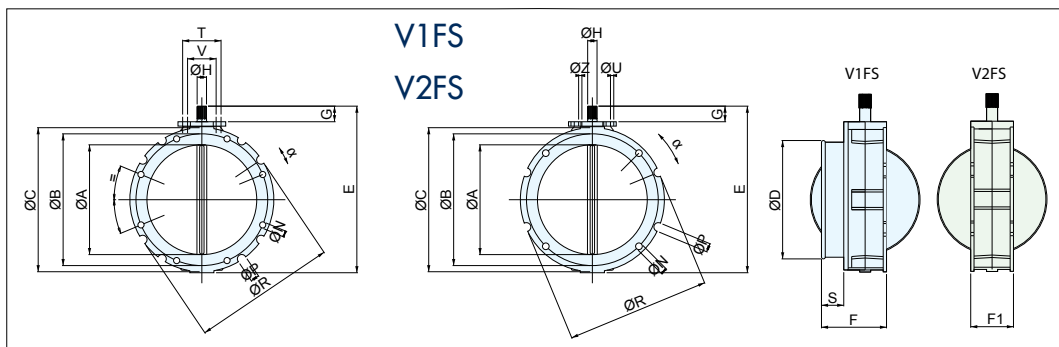
Technical Features / Performance

- ▶ V1FS with top flange and beaded bottom section suitable for fixing of flexible sleeve from 100 to 400mm (4 to 16 in)
- ▶ V2FS with identical top and bottom flange from 100 to 400mm (4 to 16 in)
- ▶ On request, VFS pressure-proof up to 0.2 bar (2.9 PSI) and max. temperature of 100° C (212° F)
- ▶ VFS with disc in cast iron or SINT®-coated
- ▶ Small number of components
- ▶ Easy part replacement

Overall Dimensions



TYPE	C	Ø a	Ø A	Ø B	Ø C	Ø D	Ø E	F	Ø G	Ø H DIN 5482	Ø N DRILLINGS	Nr of DRILLINGS	P	Q	R	α	T	U	V	kg
V2FF250F14N		255	275	375	400	322	328	100	300	22 x 19	13.5	8	50	50	6	45°	202	M 12	50	16
V2FF300F19N		310	325	400	450	370	378	100	350	22 x 19	13.5	8	50	50	6	45°	210	M 12	50	19



TYPE	Ø A	Ø B	Ø C	Ø D	E	F	F1	G	Ø H DIN 5482	N Drilling	P External grooves	Ø R	α	S	T	U	V	Z	kg
V1FS 100.	95	180	220	105	250	115	77	35	22x19	4 x Ø14	4 x Ø20	220	22°30'	40	80	M12	50	M10	4
V1FS 150.	150	200	228	163	290	115	77	35	22x19	4 x Ø14	4 x Ø20	228	22°30'	40	80	M12	50	M10	5
V1FS 200.	200	250	278	213	340	115	77	35	22x19	4 x Ø14	4 x Ø20	278	22°30'	40	80	M12	50	M10	6.5
V1FS 250.	250	300	328	263	390	115	77	35	22x19	8 x Ø14	8 x Ø20	325	11°15'	40	80	M12	50	M10	7.5
V1FS 300.	300	350	378	313	440	115	77	35	22x19	8 x Ø14	16 x Ø20	375	5°41'	40	80	M12	50	M10	9
V1FS 350.	350	400	440	363	530	123	85	50	28x25	8 x Ø14	8 x Ø20	440	10°	40	80	M12	-	-	16
V1FS 400.	400	470	530	413	580	123	85	50	28x25	8 x Ø14	16 x Ø20	530	4°30'	40	80	M12	-	-	20.5

Dimensions in mm

TYPE	Ø A	Ø B	Ø C	E	F	G	Ø H DIN 5482	N Drilling	P External grooves	Ø R	α	T	U	V	Z	kg
V2FS 100.	95	180	220	250	77	35	22x19	4 x Ø14	4 x Ø20	220	22°30'	80	M12	50	M10	4
V2FS 150.	150	200	228	290	77	35	22x19	4 x Ø14	4 x Ø20	228	22°30'	80	M12	50	M10	5
V2FS 200.	200	250	278	340	77	35	22x19	4 x Ø14	4 x Ø20	278	22°30'	80	M12	50	M10	6.5
V2FS 250.	250	300	328	390	77	35	22x19	8 x Ø14	8 x Ø20	325	11°15'	80	M12	50	M10	7.5
V2FS 300.	300	350	378	440	77	35	22x19	8 x Ø14	16 x Ø20	375	5°41'	80	M12	50	M10	9
V2FS 350.	350	400	440	530	85	50	28x25	8 x Ø14	8 x Ø20	440	10°	80	M12	-	-	16
V2FS 400.	400	470	530	580	85	50	28x25	8 x Ø14	16 x Ø20	530	4°30'	80	M12	-	-	20.5

Dimensions in mm

This datasheet does not show the complete range but only the models most suitable for the application.