

Membrane Pressure Relief Valves in Stainless Steel

VHS



Membrane Pressure Relief Valves in Stainless Steel VHS

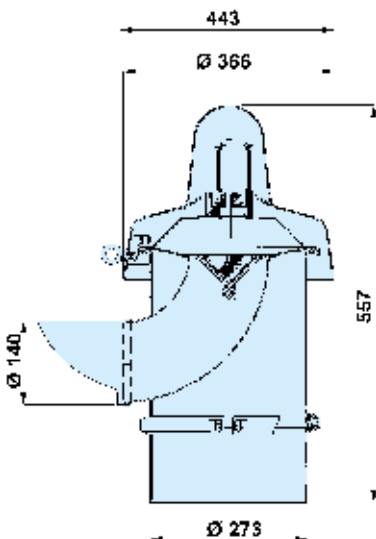
THE ULTIMATE SAFETY NET AGAINST ABNORMAL CONDITIONS INSIDE BINS OR SILOS

VHS Pressure Relief Valves consist of a cylindrically shaped metallic body with a connecting spigot clamped to the silo, an exhaust outlet spout for duct connection, an elastic membrane able to re-establish pressure balance instantaneously, a counterweight kit to keep the valve closed under normal conditions, and a weather protection cover.

VHS Pressure Relief Valves are the last safety net when abnormal pressure conditions endanger the silo structure. This is why sudden excess or suction pressure inside the silo have to be dealt with instantly. Even though a VHS Pressure Relief Valve should ideally never have to come into action, it must work efficiently and reliably when needed.



Overall Dimensions



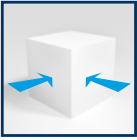
VHS273	Excess Pressure	Negative Pressure	kg
Standard type	500 mm H ₂ O *	-50 mm H ₂ O	22
Option	300 ~ 800 mm H ₂ O		

* Calibration by Manufacturer

A	B	C	D
Ø 400 mm	680 mm	Ø 273 mm	Ø 140 mm

Dimensions in mm

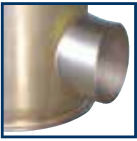
Benefits



Compact overall dimensions



Time-saving maintenance



Dust recovery from ducted emissions



High safety level thanks to emission control and ducted exhaust flow



Technical support and worldwide availability of spare parts thanks to the WAMGROUP® subsidiary network

Features

- 304 stainless-steel casing
- Casing diameter: 273 mm (10 in)
- Flow rate: up to 5,000 Nm³/h (2,950 cfm)
- Exhaust outlet for connection with centralised suction system
- Counterweight system never in contact with dust
- Low number of components



Accessories

- Bird net



- Setting kit



Application



203001751 April 2021 Rights reserved to modify technical specifications.

This brochure has been edited for distribution in European Union countries.



www.wamgroup.com