

Animal Feed Milling

WAMAIR® Dust Collectors FP-220 / FPX-220



5



Description ▼

WAMAIR® FP 220 Dust Collectors consist of a polygonal shape casing, specifically developed for de-dusting mechanical conveyors in Animal Feed Milling Plants. The filter is equipped with horizontally inserted pocket filter elements made of antistatic filter media, and a reverse air jet cleaning system integrated in the hinged access door.

Function ▼

WAMAIR® Dust Collectors separate dust from the air flow by means of pocket filter elements. Dust drops down after an automatic reverse air jet cleaning device inside the front inspection door has removed it from the filter elements.



Application ▼

WAMAIR® FP 220 Dust Collectors are specially developed for de-dusting mechanical conveyors for grains such as belt conveyors, chain conveyors and bucket elevators.

Benefits ▼

- ✓ Filter dimensions match shape of conveyors;
- ✓ Compliance with health and safety standards;
- ✓ Filter elements available in after-market;
- ✓ Safety for OEM and End User;
- ✓ Running cost reduction;
- ✓ Low energy consumption;
- ✓ Maintenance cost reduction.

ATEX-compliant



www.wamgroup.com

Animal Feed Milling

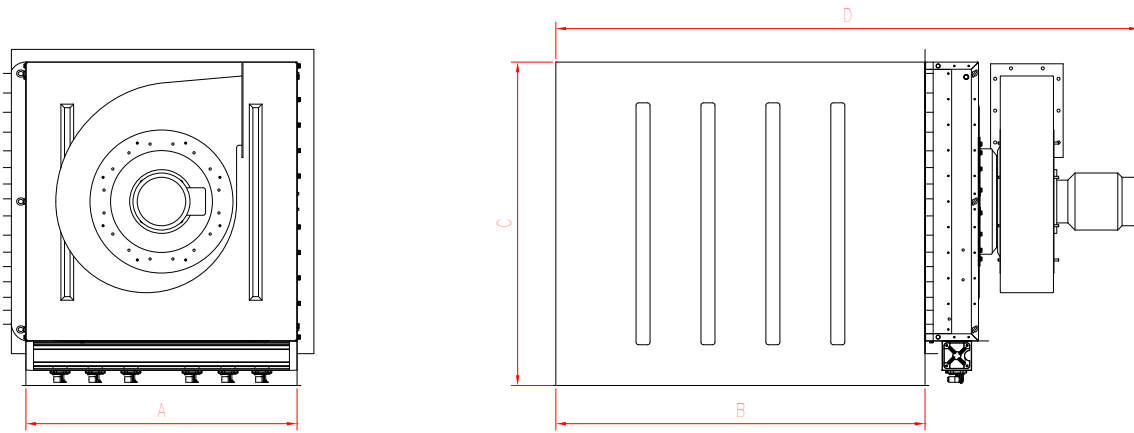
WAMAIR® Dust Collectors FP-220 / FPX-220



Technical Features / Performance ▼

- ▶ ATEX category 2/3D and 2/2D
- ▶ 304 SS polygonal body
- ▶ Filter surface from 3 to 54m²
- ▶ Low emission level due to B.I.A.-certified filter media
- ▶ Pred = 0.25 barg
- ▶ Large access door for comfortable filter element removal
- ▶ High cleaning efficiency due to "Full Immersion" solenoid valves incorporated in aluminium air tank (corrosion-resistant) for low-maintenance operation
- ▶ Safe weather protection cover with lockable snap hook
- ▶ High efficiency centrifugal fan
- ▶ Fan integrated into access door

Overall Dimensions ▼



FILTER CODE	FILTER SURFACE (m ²)	A	B	C	D
FPHT 1 03	3	570	700	825	1,570
FPHT 2 05	5	570	950	825	1,820
FPHT 5 09	9	570	1,700	825	2,570
FPHT D 12	12	570	1,200	1,320	2,170
FPHT E 15	15	570	1,450	1,320	2,420
FPHT F 18	18	570	1,700	1,320	2,670
FPHT M 22	22	845	1,450	1,320	2,440
FPHT R 24	24	1,065	1,200	1,320	2,190
FPHT S 30	30	1,065	1,450	1,320	2,530
FPHT T 36	36	1,065	1,700	1,320	2,813
FPHT Y 45	45	1,065	1,450	1,815	2,563
FPHT U 54	54	1,065	1,700	1,815	2,813

D.S.220.WAMAIR-EN-March2012.200 Rights reserved to modify technical specifications.

This datasheet does not show the complete range but only the models most suitable for the application.



www.wamgroup.com