

Biscuit Processing

WAMFLO® Dust Collectors FN / FNX



3



Description ▼

WAMFLO® FN Dust Collectors have been specifically developed for Biscuit (cookies) Processing Plants. They are equipped with a round stainless steel body with a large residue-free access door for filter element removal. The casing contains vertically mounted round bag-type filter elements with antistatic filter media. To keep the filter media clean an air jet cleaning system is integrated in the top cover.

Function ▼

WAMFLO® FN Dust Collectors are used for both venting and suction applications. Dust separated from the air flow by round bag-type filter elements drops back into the silo, bin or hopper after an integrated automatic reverse air jet cleaning system has removed it from the filter elements.



Application ▼

WAMFLO® FN Dust Collectors are mainly used for final product silo venting and weigh hopper venting. They are equipped with a centrifugal fan with a potential air volume capacity of up to 53 Nm³/min.

Benefits ▼

- ✓ Running cost reduction;
- ✓ Residue-free access door;
- ✓ Round bags available from after-market;
- ✓ Compliance with health and safety standards;
- ✓ Maintenance cost reduction;
- ✓ Safety for OEM and End User.



Biscuit Processing

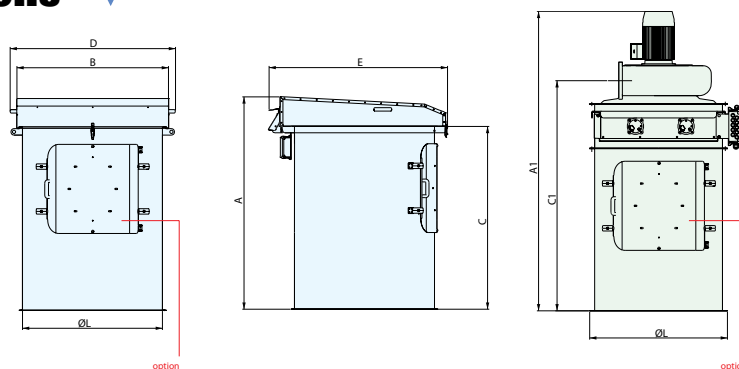
WAMFLO® Dust Collectors FN / FNX



Technical Features / Performance ▼

- ▶ 304 SS (316 SS on request) flanged cylindrical body
- ▶ Filter surface from 2 to 21 m²
- ▶ Low emission level due to B.I.A.-certified filter media
- ▶ Compressed air jet cleaning system integrated in top cover
- ▶ High efficiency centrifugal fan
- ▶ Pred = 1 barg
- ▶ ATEX category 2/3D and 2/2D
- ▶ High cleaning efficiency due to "Full Immersion" solenoid valves incorporated in aluminium air tank (corrosion-resistant) for low-maintenance operation
- ▶ No tools required for filtering element removal
- ▶ Large access door for comfortable filter element removal

Overall Dimensions ▼



Filter Surface (m ²)				Ø L	A	B	C	D	E	A1	C1
FNW ①	FNE ②	FNM / FNB ③	FNC / FNS ④								
-	-	-	2-4	400	746	495	520	580	635	1,197	879
-	-	-	3-5	400	996	495	770	580	635	1,447	1,129
-	-	1	6	400	1,146	495	920	580	635	1,597	1,279
-	-	2	-	400	1,586	495	1,360	580	635	2,037	1,719
-	-	3	-	400	2,066	495	1,840	580	635	2,517	2,199
7	2	-	7	600	746	690	520	775	880	1,325	913
11	-	-	10	600	996	690	770	775	880	1,575	1,163
14	4	3	12	600	1,146	690	920	775	880	1,725	1,313
-	7	5	-	600	1,586	690	1,360	775	880	2,165	1,753
-	9	6	-	600	2,066	690	1,840	775	880	2,645	2,233
13	4	-	12	800	746	875	520	960	1,010	1,430	943
20	-	-	18	800	996	875	770	960	1,010	1,680	1,193
24	7	5	22	800	1,146	875	920	960	1,010	1,830	1,343
-	10	8	-	800	1,586	875	1,360	960	1,010	2,270	1,783
-	13	11	-	800	2,066	875	1,840	960	1,010	2,750	2,263
27	6	-	24	1,000	746	1,125	520	1,210	1,325	1,455	963
40	-	-	36	1,000	996	1,125	770	1,210	1,325	1,705	1,213
48	12	11	44	1,000	1,146	1,125	920	1,210	1,325	1,855	1,363
-	18	16	-	1,000	1,586	1,125	1,360	1,210	1,325	2,295	1,803
-	24	21	-	1,000	2,066	1,125	1,840	1,210	1,325	2,775	2,283

DS_2130_WAMFLO - EN, November 2013, 800. Rights reserved to modify technical specifications.

This datasheet might not show the complete range but only the models specialised for the application.



www.wamgroup.com